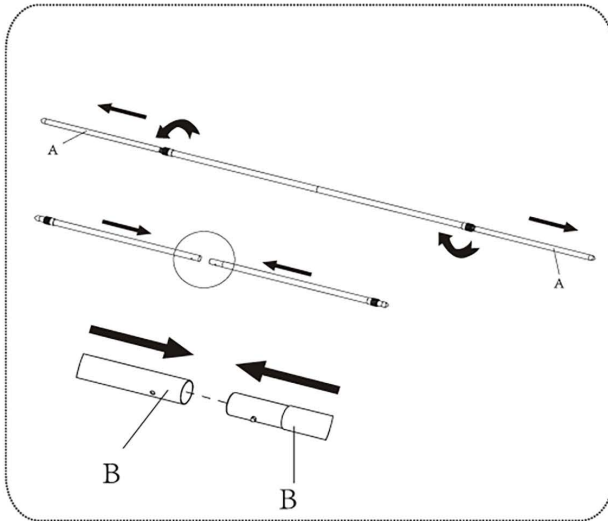
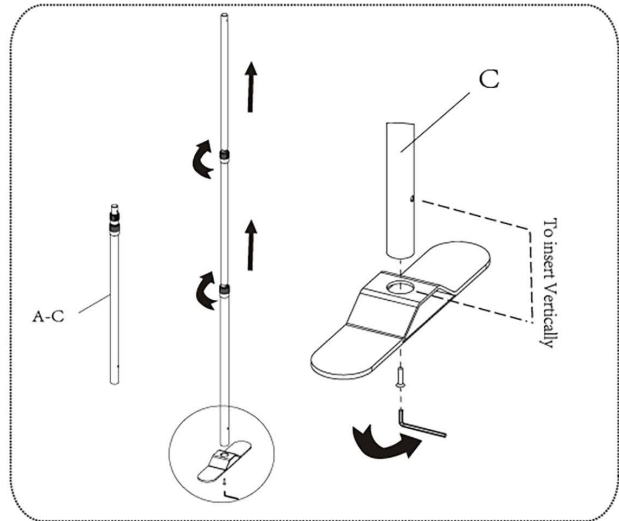


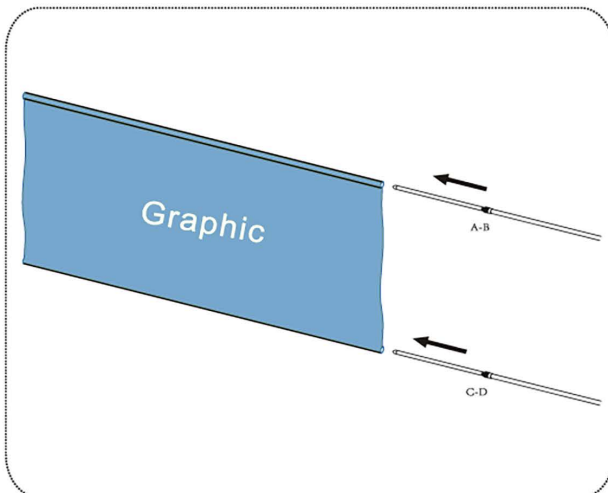
Set Up Instructions



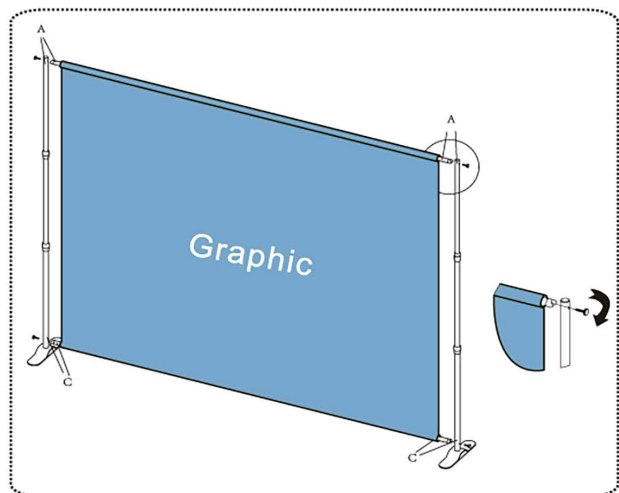
- ① To connect B-B, pull out pole A to the limited stop then tighten the plastic bolt. Same way to the pole #C-D.



- ② To insert pole #A-C into the socket of base vertically then tightening; Afterwards, screw off #A-C to the limited stop and screw up the plastic bolt.



- ③ To put pole #A-B and pole #C-D through the fabric banner hem.



- ④ To use right number of screw for tightening.

Simple Care: Dye-Sublimated Fabric Covers can be machine washed in cold water on gentle cycle. Lay flat or hang to dry. Wrinkles or creases can be eliminated with hand steamer or warm iron. Do NOT bleach or tumble dry.

