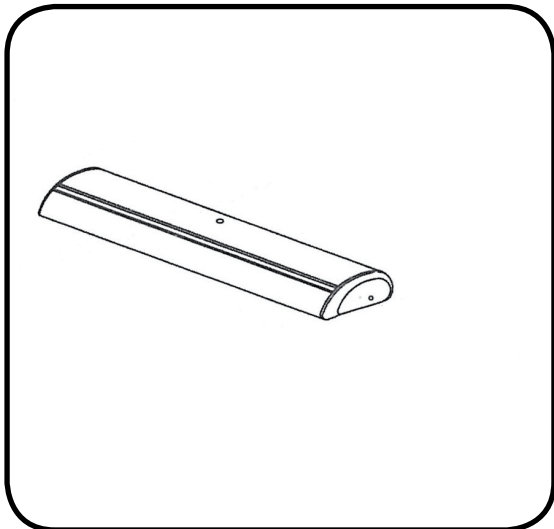
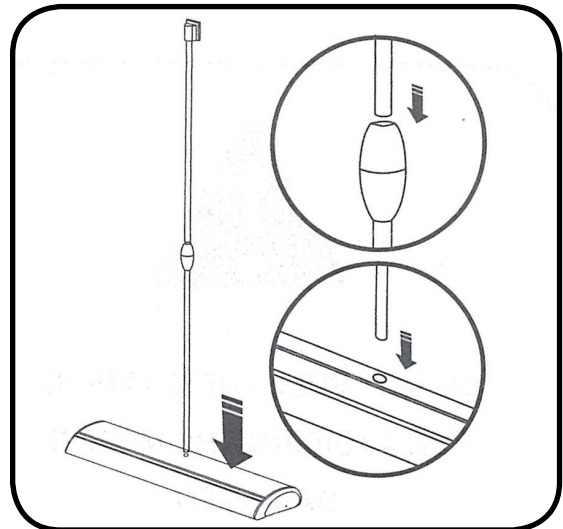


Desktop MINI Retractable Banner Stand



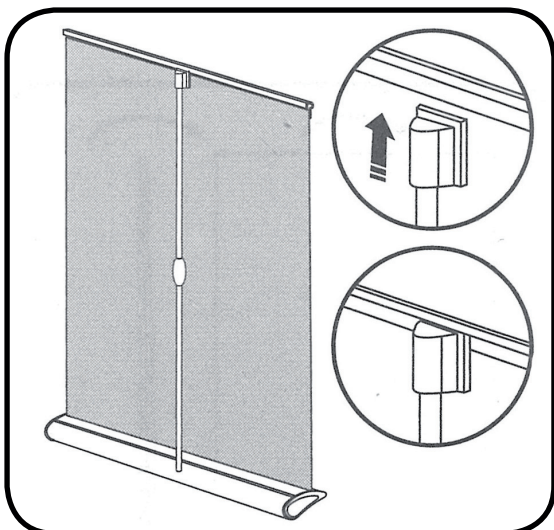
1. Set on a flat surface.



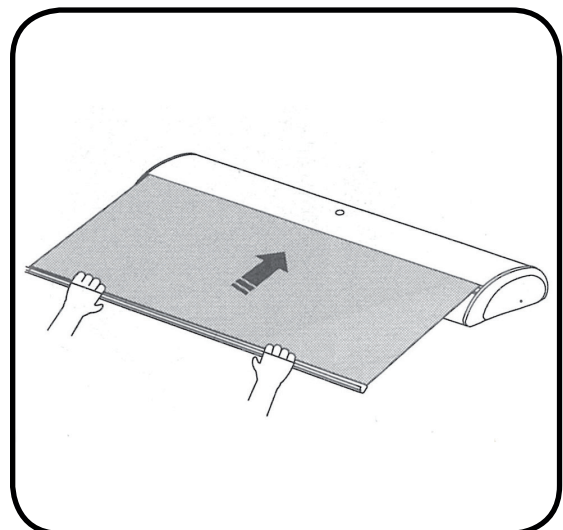
2. Join the poles and insert into the hole on the base.



Caution: When inserting pole into the base, be careful not to scratch the graphic.



3. Lift the graphic and make it fixed onto top of the pole.



To put away, carefully allow the graphic to recoil into the base unit.



CAUTION PLEASE READ INSTRUCTIONS BEFORE SETTING UP.