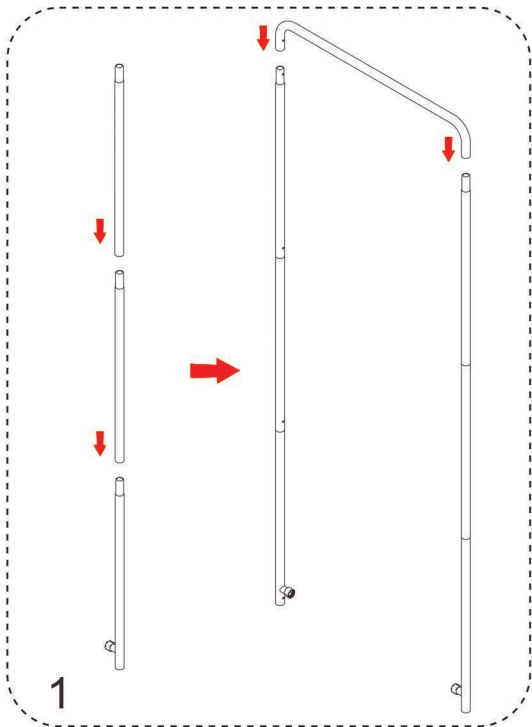
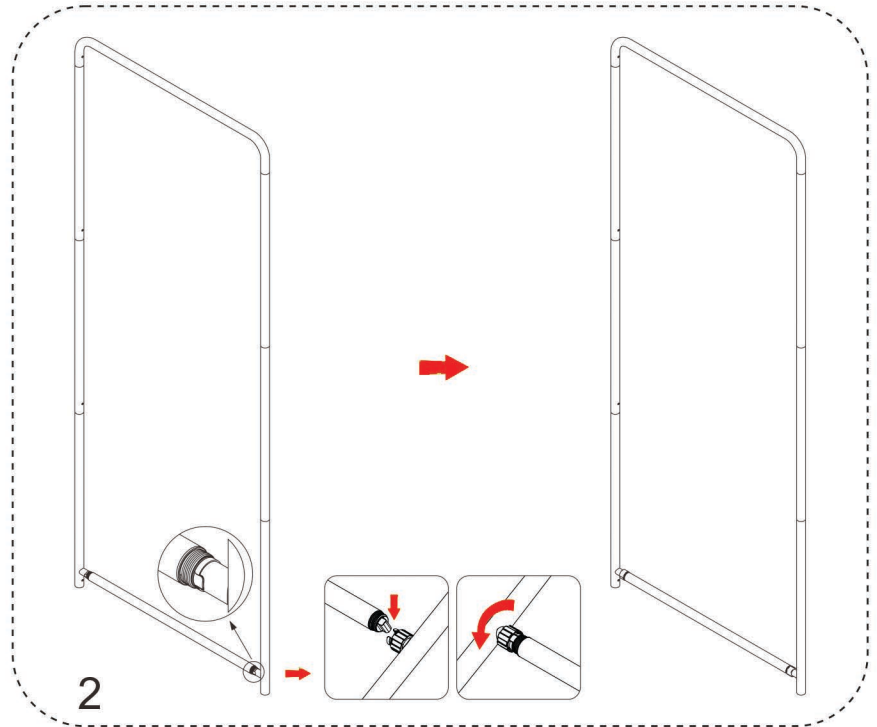


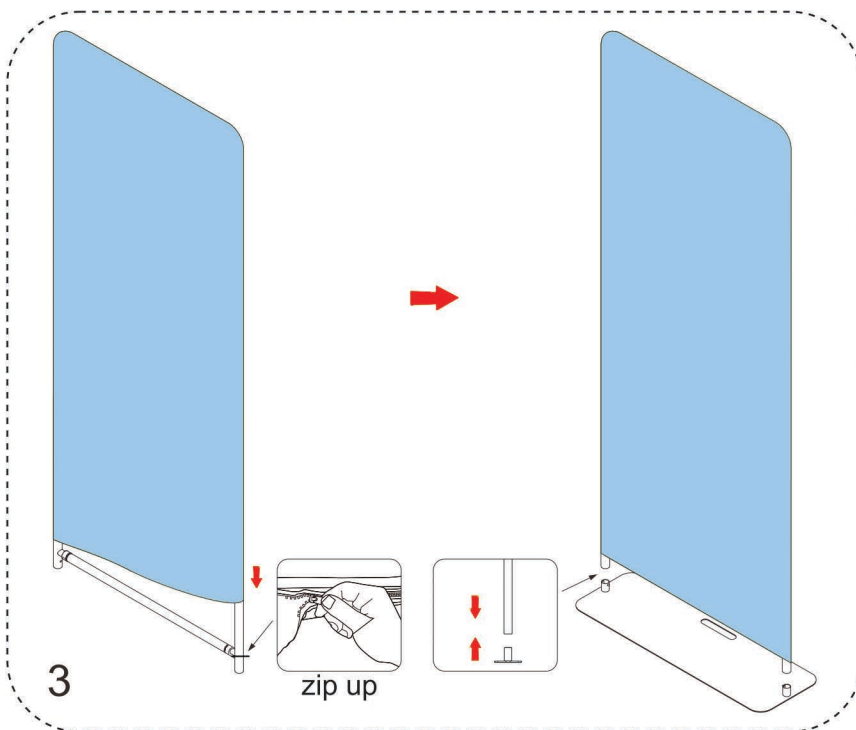
Tube Frame “Pillow Case” Display Stand



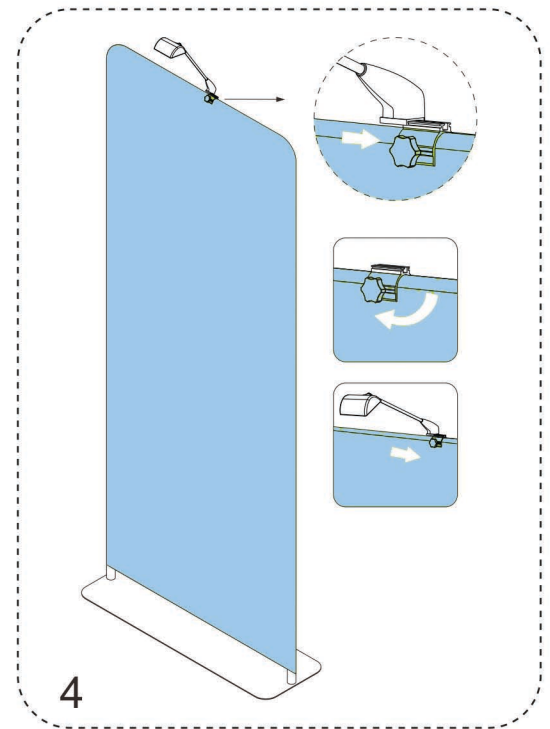
1
To connect all the aluminium tubes according to the numbering



2
Using the big plastic screw parts to fasten the bottom cross bar



3
To wrap the fabric banner on the frame and zip up, afterwards install whole display stand to the base.



Optional Accessory

To install the lights clips to the top of display stand and fasten by screw, then slip the lights in position